



## Maestro Mounting Plate Design

The purpose of this document is to provide door manufacturers the necessary information to design their own “stand alone” Maestro mounting plate, or a combined door / operator head plate.

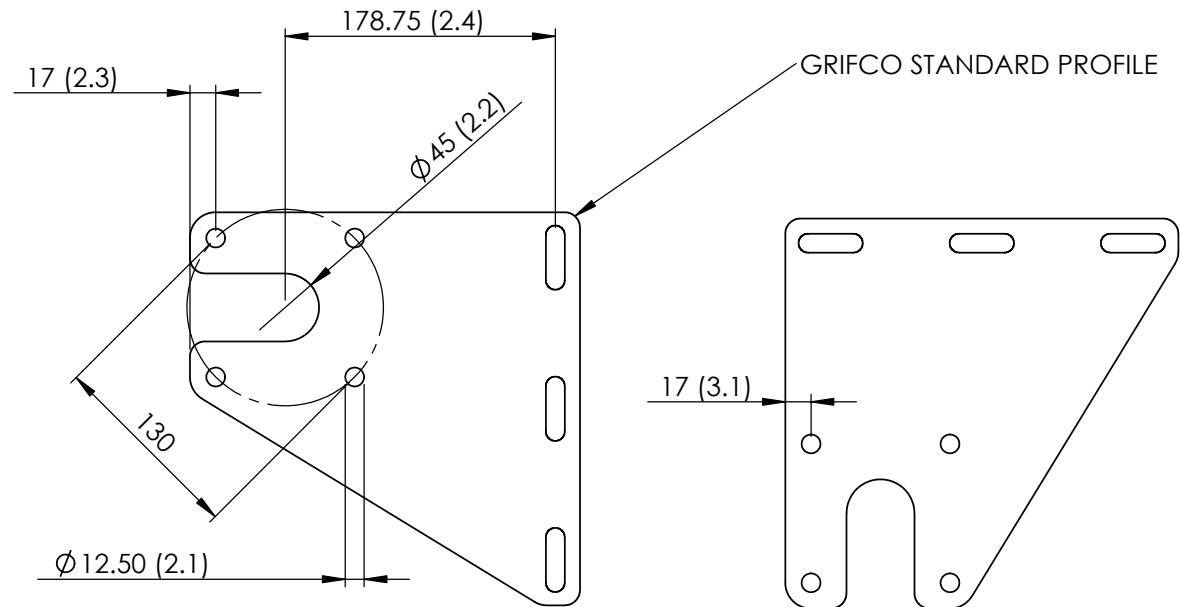
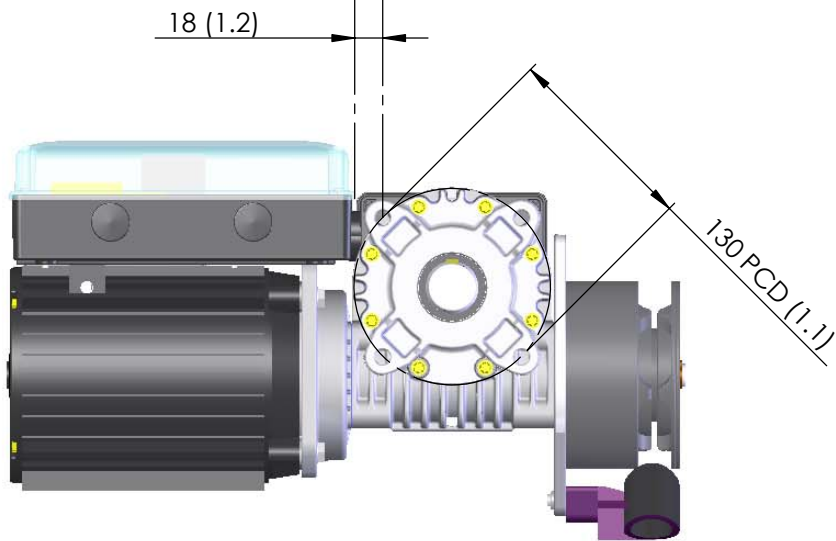
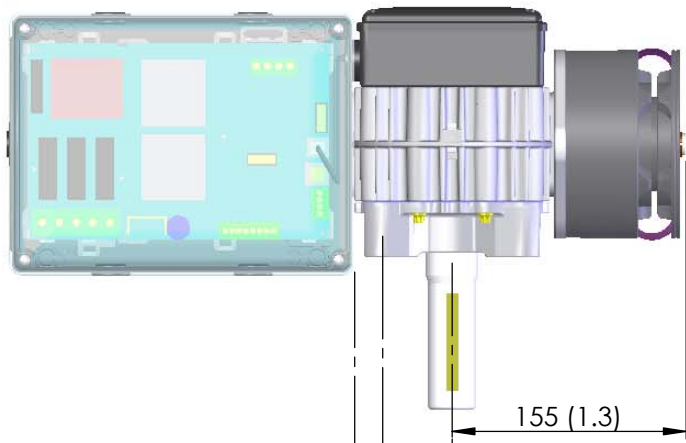
Summary of dimensions shown on following page:

- PCD of mounting holes (1.1) 130mm
- Diameter of mounting holes (2.1) 12.5mm
- Diameter of output shaft hole (2.2) 45mm
- Thickness of plate 8mm (typical)

Special consideration must be made to the following:

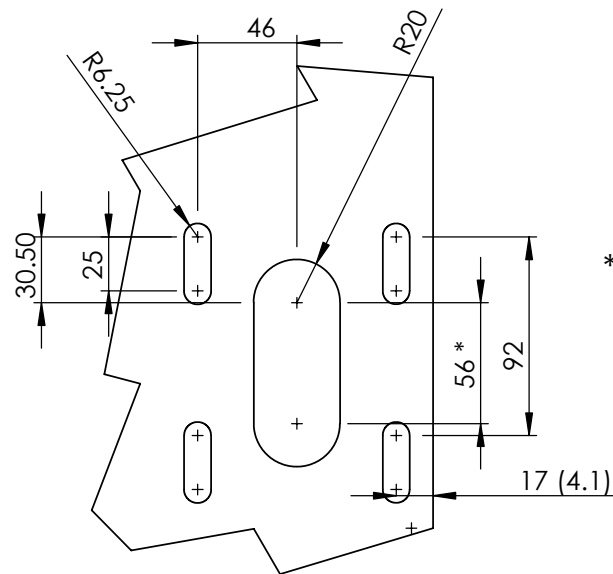
- A thickness between the centre of the mounting bolt hole and the edge of the mounting plate, as shown by dimensions (2.3), (3.1) and (4.1), must not exceed 17mm, otherwise the mounting plate will interfere with the maestro operator control housing
- The distance from the centre of the output shaft to the mounting slots should be greater than 155mm to allow easy access to the slots. See dimensions (1.3) and (2.4)

# OPERATOR MOUNTING GUIDE



GRIFCO MAESTRO MOUNTING PLATE  
WALL ORIENTATION

GRIFCO MAESTRO MOUNTING PLATE  
CEILING ORIENTATION



MAESTRO MOUNTING PATTERN  
ON DOOR HEAD PLATE

\* Shaft clearance extended to allow fitting of a MD58 Operator with a Grifco adaptor plate