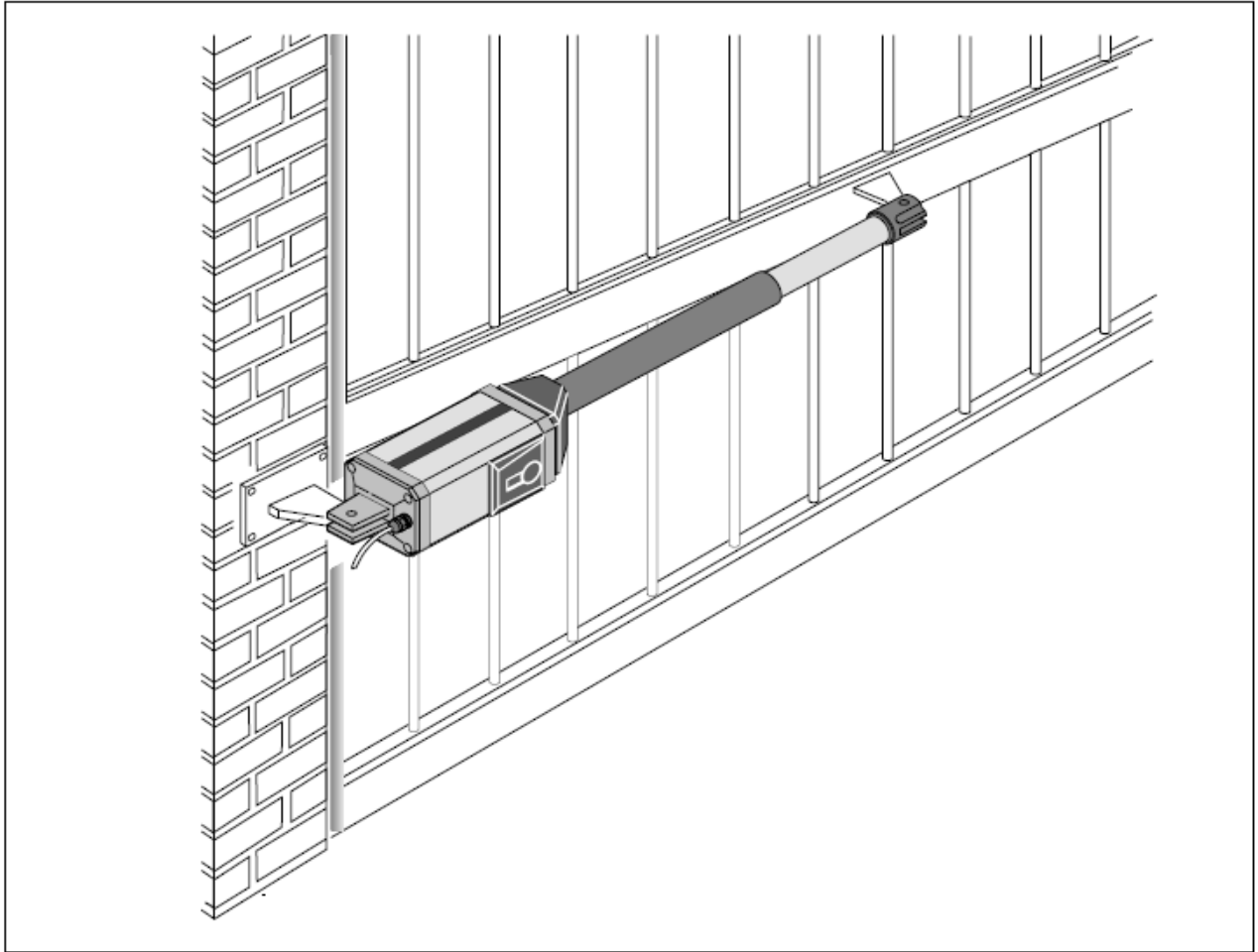


Elite



GENIUS[®]

COMPANY
WITH QUALITY SYSTEM
CERTIFIED BY DNV
=ISO 9001/2000=



ACCESS1 COMPANY

Access1 Company Pty. Ltd.
7 Lucknow Crescent, Thomastown, Victoria 3074.
Ph. (03) 9469 3600 Fax. (03) 9469 3622
www.accessone.com.au

IMPORTANT NOTICE FOR THE INSTALLER

GENERAL SAFETY REGULATIONS

- 1) **ATTENTION! To ensure the safety of people, it is important that you read all the following instructions. Incorrect installation or incorrect use of the product could cause serious harm to people.**
- 2) Carefully read the instructions before beginning to install the product.
- 3) Do not leave packing materials (plastic, polystyrene, etc.) within reach of children as such materials are potential sources of danger.
- 4) Store these instructions for future reference.
- 5) This product was designed and built strictly for the use indicated in this documentation. Any other use, not expressly indicated here, could compromise the good condition/operation of the product and/or be a source of danger.
- 6) GENIUS declines all liability caused by improper use or use other than that for which the automated system was intended.
- 7) Do not install the equipment in an explosive atmosphere: the presence of inflammable gas or fumes is a serious danger to safety.
- 8) The mechanical parts must conform to the provisions of Standards EN 12604 and EN 12605.
For non-EU countries, to obtain an adequate level of safety, the Standards mentioned above must be observed, in addition to national legal regulations.
- 9) GENIUS is not responsible for failure to observe Good Technique in the construction of the closing elements to be motorised, or for any deformation that may occur during use.
- 10) The installation must conform to Standards EN 12453 and EN 12445. The safety level of the automated system must be C+E.
- 11) Before attempting any job on the system, cut out electrical power.
- 12) The mains power supply of the automated system must be fitted with an all-pole switch with contact opening distance of 3mm or greater. Use of a 6A thermal breaker with all-pole circuit break is recommended.
- 13) Make sure that a differential switch with threshold of 0.03 A is fitted upstream of the system.
- 14) Make sure that the earthing system is perfectly constructed, and connect metal parts of the means of the closure to it.
- 15) The automated system is supplied with an intrinsic anti-crushing safety device consisting of a torque control. Nevertheless, its tripping threshold must be checked as specified in the Standards indicated at point 10.
- 16) The safety devices (EN 12978 standard) protect any danger areas against **mechanical movement Risks**, such as crushing, dragging, and shearing.
- 17) Use of at least one indicator-light is recommended for every system, as well as a warning sign adequately secured to the frame structure, in addition to the devices mentioned at point "16".
- 18) GENIUS declines all liability as concerns safety and efficient operation of the automated system, if system components not produced by GENIUS are used.
- 19) For maintenance, strictly use original parts by GENIUS.
- 20) Do not in any way modify the components of the automated system.
- 21) The installer shall supply all information concerning manual operation of the system in case of an emergency, and shall hand over to the user the warnings handbook supplied with the product.
- 22) Do not allow children or adults to stay near the product while it is operating.
- 23) Keep remote controls or other pulse generators away from children, to prevent the automated system from being activated involuntarily.
- 24) Transit through the leaves is allowed only when the gate is fully open.
- 25) The user must not attempt any kind of repair or direct action whatever and contact qualified personnel only.
- 26) **Anything not expressly specified in these instructions is not permitted.**

ELITE AUTOMATION

The ELITE automation system for swing gates comprises an electromechanical operator which drives the gate leaves by means of a worm screw.

The ELITE operator is irreversible and locks mechanically when the motor is not in use. Therefore a lock does not need to be fitted. Its manualoverride is activated by a customised key.

1. DESCRIPTION AND TECHNICAL SPECIFICATIONS

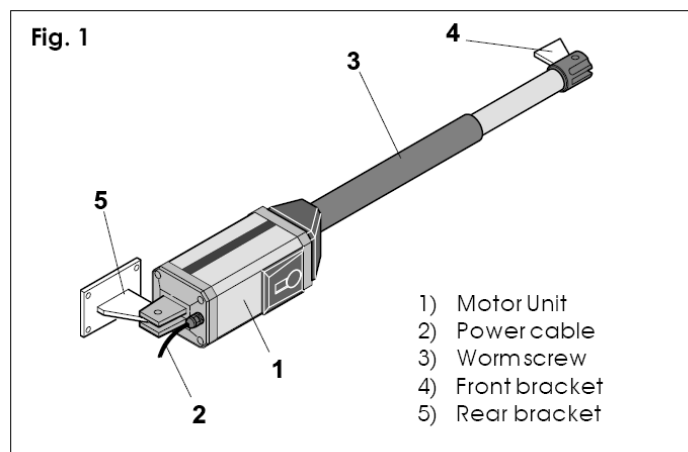
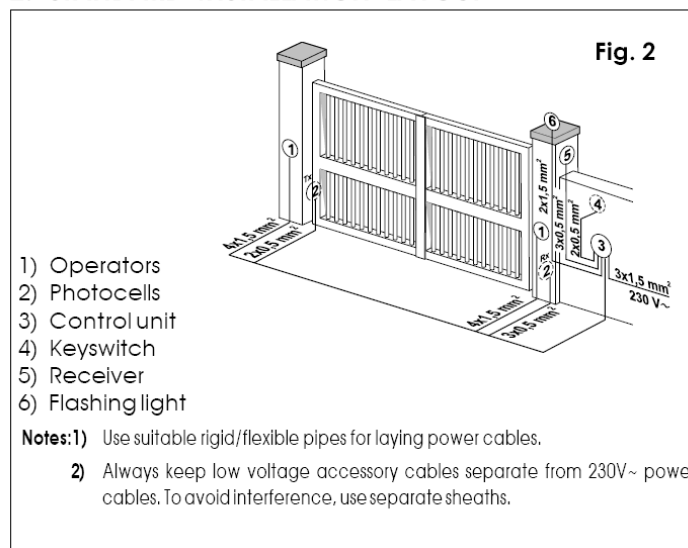


Table 1: Operator technical specifications

Model	ELITE 300 ELITE 400	ELITE 324 ELITE 424	ELITE LENTO
Power supply	230V~50Hz	24Vdc	230V~50Hz
Absorbed power	350W	70W	280W
Current drawn	1,5A	3A	1,2A
Electric motor rpm	1400		900
Thermal cutout	140°C		140°C
Capacitor	10µF/400V		8µF/400V
Max. thrust/traction force	400 daN	300 daN	320 daN
Rod stroke	300 mm / 400 mm		400 mm
Rod speed	1,6 cm/sec		1,1 cm/sec
Temperature range	-20°C +55°C		
Operator weight	6,5 Kg		
Housing protection	IP 44		
Duty cycle (cycles/hour)	20	50	20
Maximum leaf length	3 m / 4 m		

2. STANDARD INSTALLATION LAYOUT



Drawing A INSTALLATION DIMENSIONS

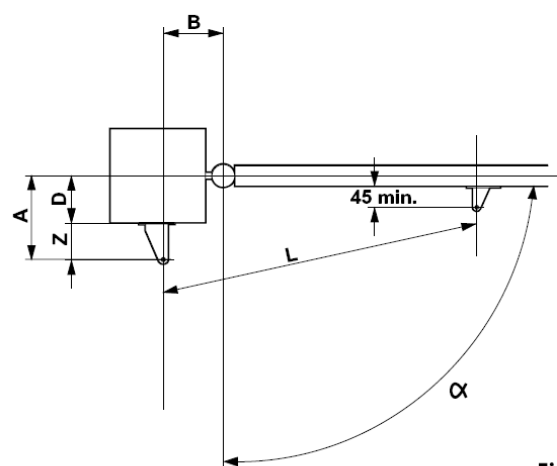


Table A: Recommended dimensions (in mm)

Model	α	A	B	C ⁽¹⁾	D ⁽²⁾	Z ⁽³⁾	L
300	90°	145	145	290	70	45	970
	110°	125	125	290	50	45	970
400	90°	195	195	390	120	45	1170
	110°	165	165	390	90	45	1170

(¹) useful rod stroke (²) max. dimension (³) min. dimension

CALCULATING INSTALLATION DIMENSIONS: GENERAL RULES

If the dimensions specified in Table A cannot be used, calculate different dimensions as follows:

- For 90° leaf opening: $a + b = c$
- For leaf opening over 90°: $a + b < c$
- The lower the dimensions of a and b the higher the gate speed. Ensure that current standards are observed.
- Make sure that the difference between a and b is no more than 4 cm: larger differences cause large variations in speed during opening and closing.
- Due to the dimensions of the operator, the minimum value for Z is 45 mm (fig. A)

If the dimensions of the gate post or the position of the hinge do not allow a to be kept within the required value, make a recess in the gate post as shown in fig. B.

